

# Guided assembly that tests while you build

**CIRRIS**<sup>®</sup>  
SYSTEMS



## Cirris CR™ low voltage cable tester

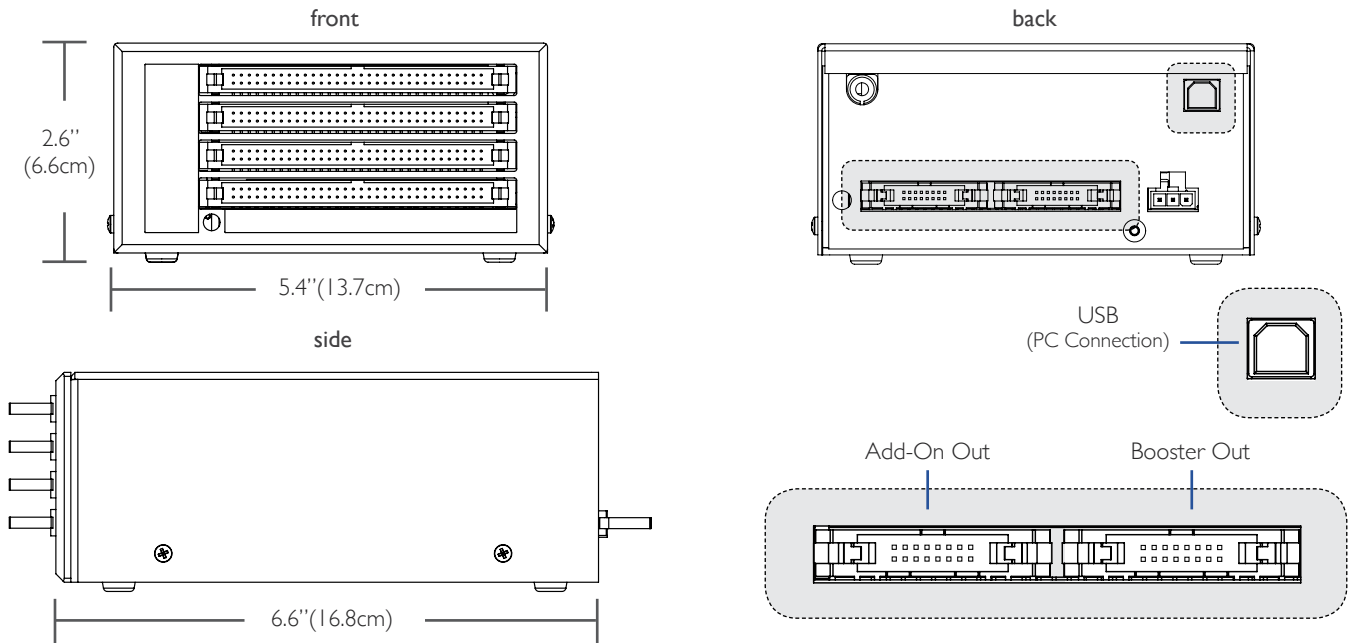
Demand is on the rise for more complex cables and harnesses. This complexity makes it difficult to build cables and harnesses with efficiency and accuracy.

The Cirris CR is a versatile testing system that lets you test complex assemblies with low voltage while you build. The tester's software uses visual and audio cues to guide assembly and catch errors as they occur.

### Product Features

- **Guided Assembly** – graphical instruction on the screen and LED prompts on the harness board guide operators during assembly
- **Immediate Feedback** – graphical and audible feedback alerts operators of errors as they occur
- **Powerful Reporting** – test reports can be customized for organization and understanding
- **Expandable for Large Assemblies** – up to 32,000 test points (256 points per box)
- **Quick Test Setup** – Cirris Smart-Lights™ provide quick mechanical support for changing test setup
- **Low-cost** – minimal impact on budget, maximum impact on efficiency and quality
- **Capable** – fast, low voltage testing of wires, resistors, capacitors, and diodes
- **Compact** – small and lightweight
- **Quick Test Creation** – quick test programming with either graphical or text editing

For more information visit [www.cirris.com/cr](http://www.cirris.com/cr) or call 1-800-441-9910.



## CR Specifications

### Test Points

256 points; expandable to 32,000 points in 256-point increments.  
(Max distance from base unit: 200 ft.)

### Low Voltage Test

#### ■ 2 Wire

**Voltage:** 10V max

**Current:** 1.6  $\mu$ A to 6 mA

**Resistance:** 0.1  $\Omega$  to 100 k $\Omega$   $\pm$ 3%  $\pm$ 0.1  $\Omega$ , 100 k $\Omega$  to 1 M $\Omega$   $\pm$ 5%

#### ■ 4 Wire

**Voltage:** 10V max

**Current:** 1.6  $\mu$ A to 6 mA

**Resistance:** .001  $\Omega$  to 100  $\Omega$   $\pm$ 2%  $\pm$ 0.001  $\Omega$

### Component Tests

**Diodes:** 0 to 7V

**Resistors:** 0.1  $\Omega$  to 100 k $\Omega$   $\pm$ 3%

**Capacitors:** 100 pF to 1000  $\mu$ F  $\pm$ 10%

### Max Points Per Net

Unlimited

### Digital Input/Output

Optional with external PLC

### Test Point Interface

64 point (2 row x 32 pins) 0.1" male box header

### User Interface

#### ■ PC Requirements

**Test Station:** 2.0 GHz min. processor speed, Windows 7<sup>®</sup>, or Windows 8.1<sup>®</sup>, 15 GB hard drive space, 4 GB RAM, 256 MB min. video memory, 1024 x 768 min display resolution, sound (for audible feedback), USB 2.0 or 3.0 port

**Optional Network Database Server:** As above except no sound or USB ports required. Windows 7<sup>®</sup> Pro, Windows 8.1<sup>®</sup> Pro, Windows Server 2003<sup>®</sup> or Windows Server 2008<sup>®</sup> OS

### Power

115 / 230V 50/60 Hz

### Size

5.4" x 6.6" x 2.6" (13.7 cm x 16.8 cm x 6.6 cm)

### Weight

2.9 lbs (1.3 kg)